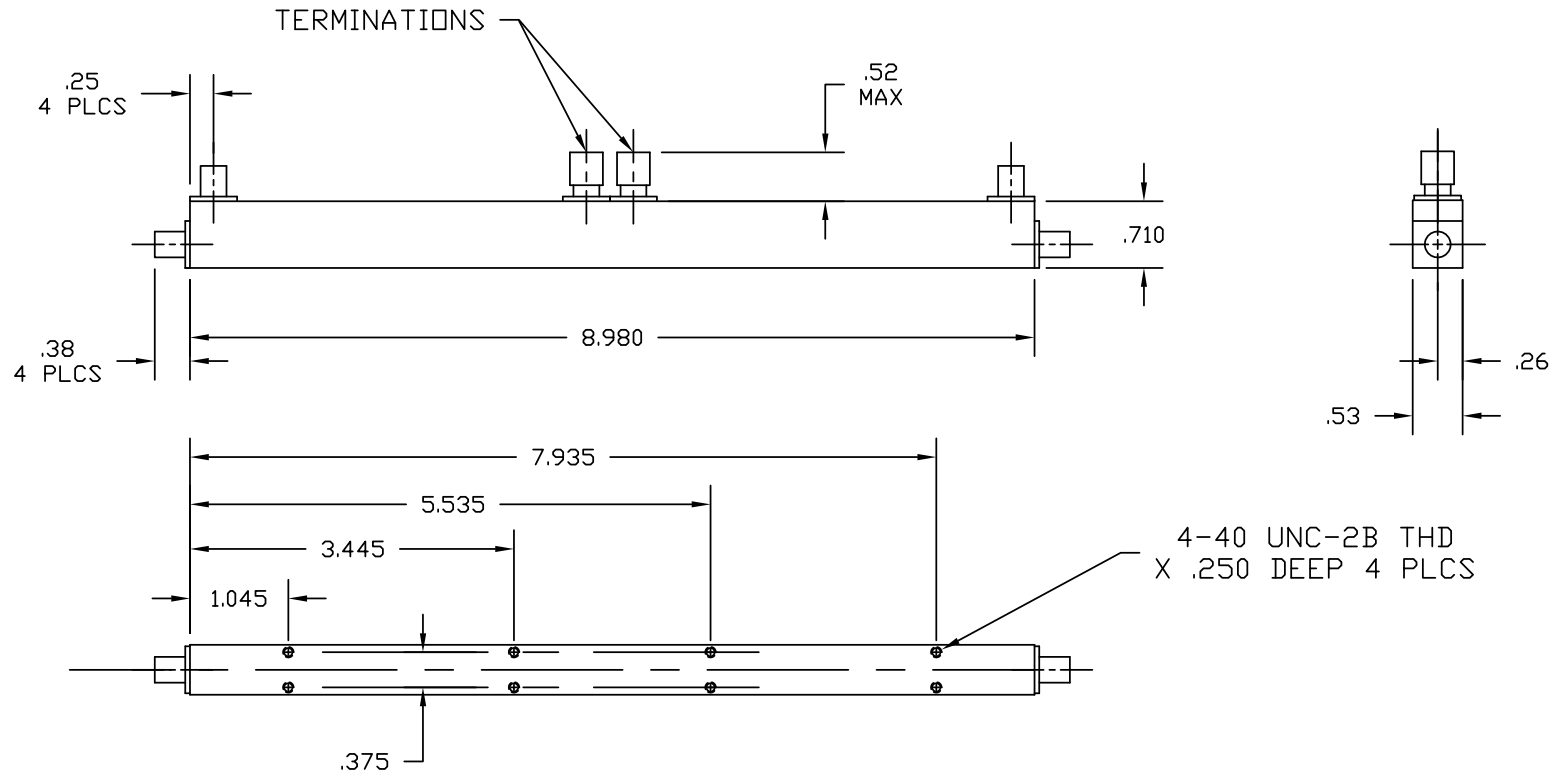




REVISIONS

LTR	DESCRIPTION	DATE	APPROVED



(DIMENSIONS IN INCHES)

MATERIAL-		APPROVALS	DATE	TITLE	UNIT OUTLINE		
TOLERANCE ARE AS FOLLOWS UNLESS OTHERWISE NOTED:		DRAWN MIKE R.	8/25/23		DUAL DIRECTIONAL COUPLER		
		CHECKED			MODEL 500714010/20		
.XX - ±.020	∠'S - ±1°	APPROVED			SIZE A	DRAWING NO. 135-0415-000	REV
.XXX - ±.005					SCALE 1/2	SHEET 1 OF 1	