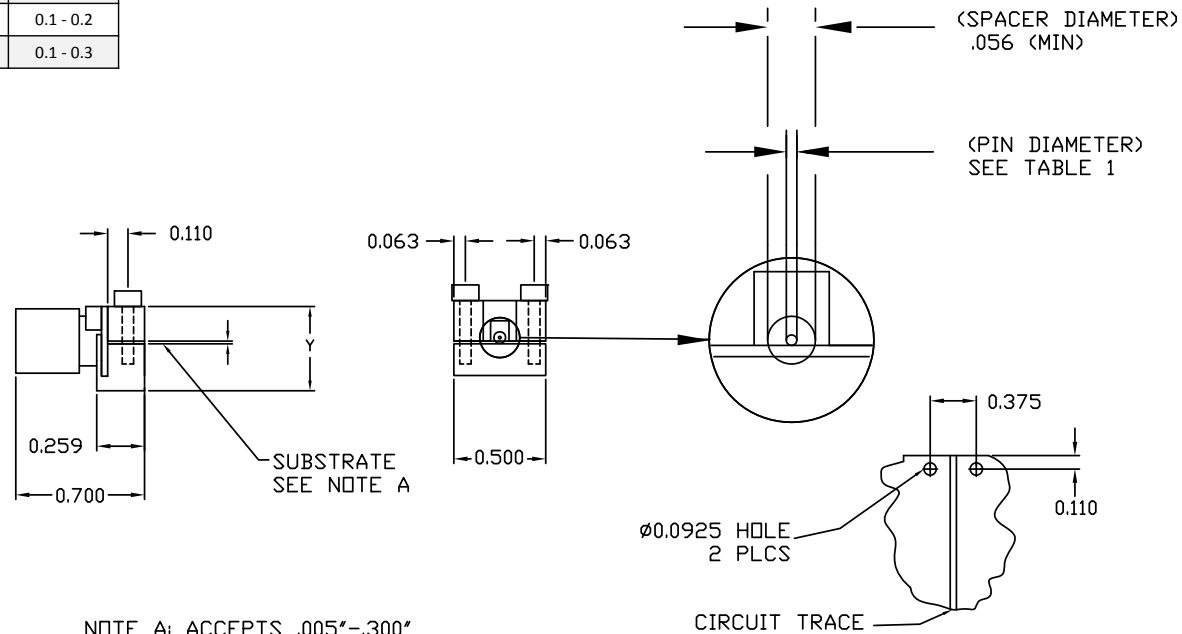


TABLE 1


Model Number	Launch Pin Diameter (Inch)	Height (Y) Max. (Inch)	Substrate Thickness (Inch)
KAT5005A-4x5	0.005	0.60	0.005 - 0.1
KAT5005B-4x5	0.005	0.69	0.1 - 0.2
KAT5005C-4x5	0.005	0.77	0.1 - 0.3
KAT5007A-4x5	0.007	0.60	0.005 - 0.1
KAT5007B-4x5	0.007	0.69	0.1 - 0.2
KAT5007C-4x5	0.007	0.77	0.1 - 0.3
KAT5010A-4x5	0.010	0.60	0.005 - 0.1
KAT5010B-4x5	0.010	0.69	0.1 - 0.2
KAT5010C-4x5	0.010	0.77	0.1 - 0.3

REVISIONS

LTR	DESCRIPTION	DATE	APPROVED



NOTE A: ACCEPTS .005"-.300" THICK SUBSTRATE (SEE TABLE 1)

MATERIAL-	APPROVALS	DATE	TITLE	TERMINATION BLOCK		
TOLERANCE ARE AS FOLLOWS UNLESS OTHERWISE NOTED:	DRAWN W.HERERIA	2/3/22		MODEL KAT50 SERIES		
	CHECKED			SIZE A	DRAWING NO. 135-0405-000	REV
.XX - ±.010	∠'S - ±1°	APPROVED		SCALE 1/1	SHEET 1 OF 1	
.XXX - ±.005						