



SPECIFICATIONS

ALL MODELS

FREQUENCY RANGE	MAXIMUM VSWR
DC-18 GHz	1.10
18-40 GHz	1.15
40-50 GHz	1.18
50-67 GHz	1.25

FREQUENCY RANGE	MAXIMUM INSERTION LOSS
DC-7 GHz	$.040 * \sqrt{f \text{ GHz}}$
7-67 GHz	$.035 * \sqrt{f \text{ GHz}}$

APPLICATION:

- DC to 67.0 GHz High Performance

FEATURES:

- Low VSWR
- Low Insertion Loss
- Equal Electrical Length
- Temperature Rating -55° to +165°C
- RF Leakage: < -100 dB

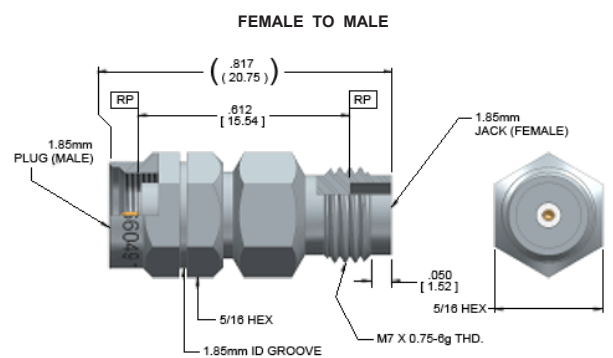
INTERFACE:

- Per MIL-STD-348A

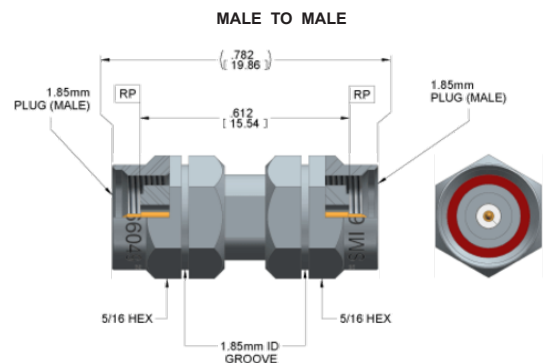
CONSTRUCTION:

- Housing: Stainless Steel, Passivated
- Contact: Beryllium Copper, Gold
- Center Contact Capture: Ultem 1000 Per ASTM D5205 and KEL-F Per ASTM D1430

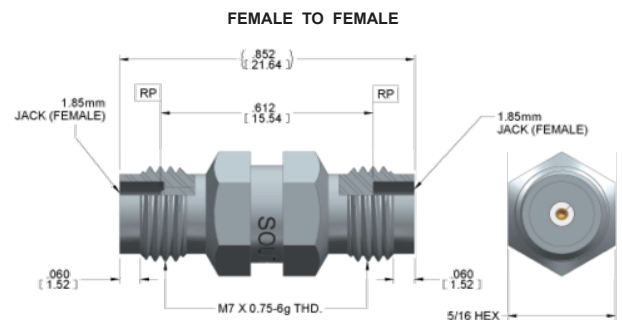
DIMENSIONS



MODEL 4030



MODEL 4031



MODEL 4032