



SPECIFICATIONS

ALL MODELS

FREQUENCY RANGE	MAXIMUM VSWR
DC-27 GHz	1.10
27-40 GHz	1.15
INSERTION LOSS = $0.030 \sqrt{f(\text{GHz})}$ dB	

APPLICATION:

- DC to 40.0 GHz High Performance

FEATURES:

- Low VSWR
- Equal Electrical Length
- Performance Consistency Unit to Unit
- Temperature Rating -55° to +135°C

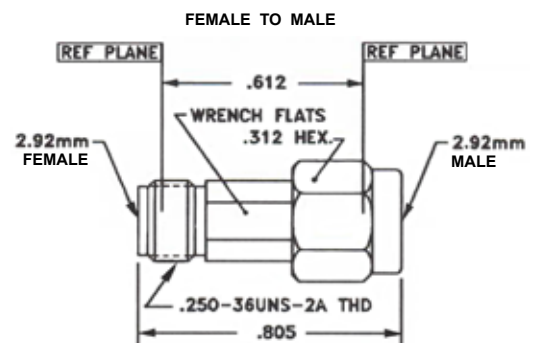
INTERFACE:

- Per MIL-STD-348A,

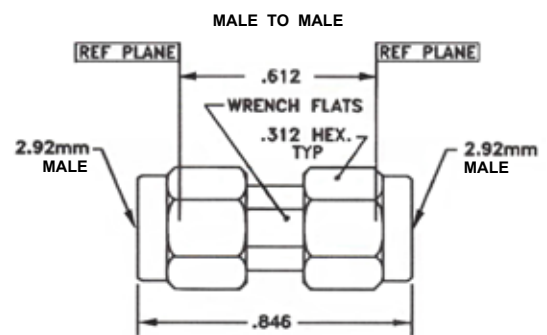
CONSTRUCTION:

- Housing: Stainless Steel, Passivated
- Contact: Beryllium Copper, Gold
- Mechanical Integrity: Rigid High Temperature Capture

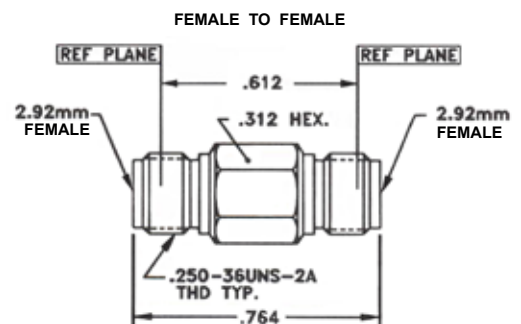
DIMENSIONS



MODEL 2030



MODEL 2031



MODEL 2032