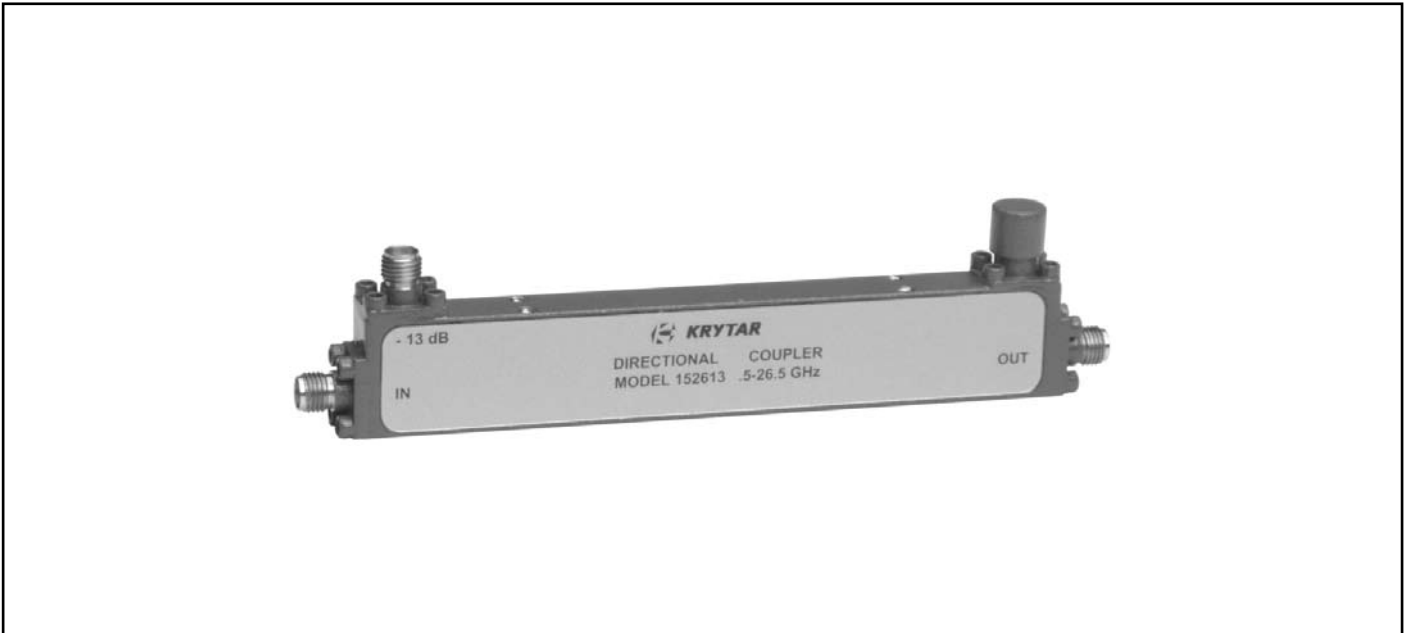


**0.5-26.5 GHz DIRECTIONAL COUPLERS**

**SPECIFICATIONS**

<b>FREQUENCY RANGE</b>	0.5-26.5 GHz	
<b>COUPLING</b> (with respect to output)		
Nominal	152610	10 ± 1.0 dB
	152613	13 ± 1.0 dB
Frequency Sensitivity		± 1.0 dB
Nominal	152616	16 ± 1.0 dB
Frequency Sensitivity		± 1.2 dB
Nominal	152620	20 ± 1.0 dB
Frequency Sensitivity		± 1.5 dB
<b>DIRECTIVITY</b>		> 13 dB
<b>MAXIMUM VSWR</b> (any port)		1.45
<b>INSERTION LOSS</b>	152610	< 1.5 dB
(includes coupled power)	152613	< 1.5 dB
	152616	< 1.4 dB
	152620	< 1.35 dB
<b>POWER RATING</b> (input)		
Average		20 W
Peak		3 KW
<b>STANDARD CONNECTORS</b>		SMA Female
<b>WEIGHT</b> (ounces)		2.3
<b>OPERATING TEMPERATURE</b>		-54° to +85° C

**DIMENSIONS**
