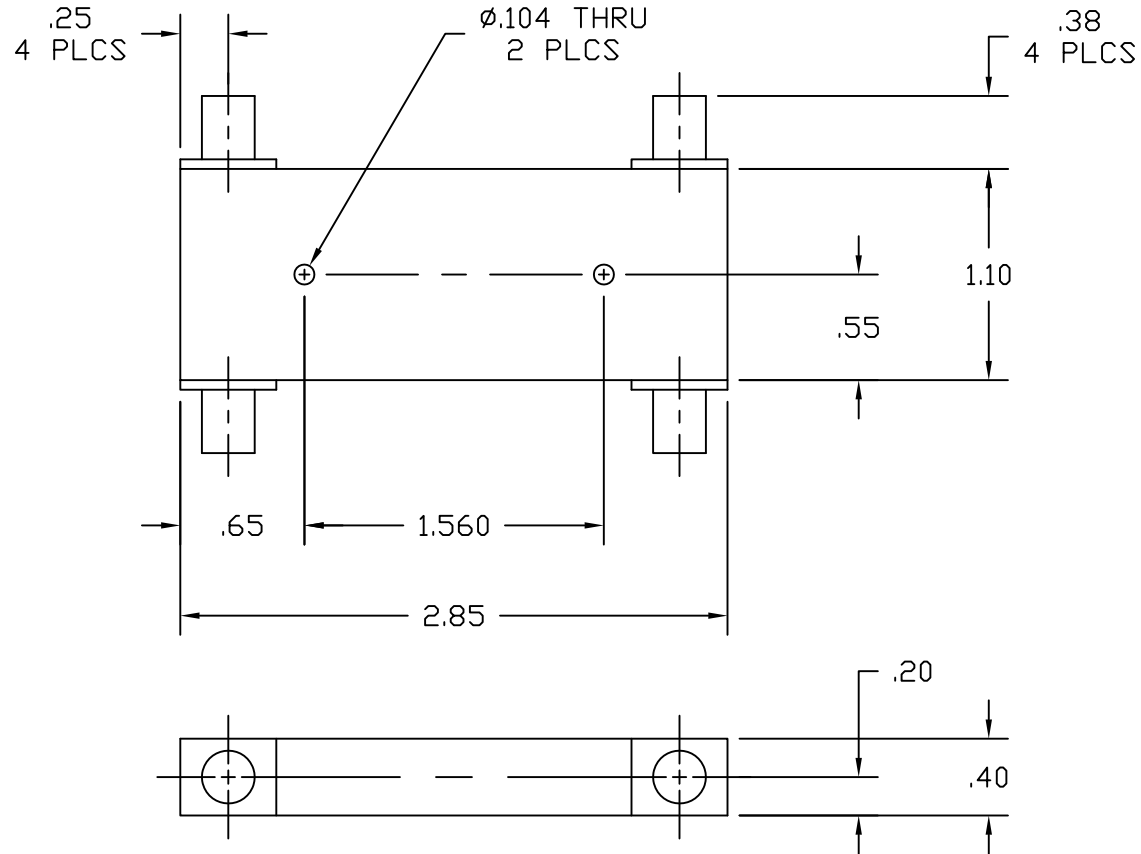



REVISIONS			
LTR	DESCRIPTION	DATE	APPROVED



MATERIAL-		APPROVALS	DATE	TITLE	UNIT OUTLINE		
TOLERANCE ARE AS FOLLOWS UNLESS OTHERWISE NOTED:		DRAWN C.L.BELT	11/14/01		MODEL 3020080		
		CHECKED			SIZE A	DRAWING NO. 135-0094-000	REV
.XX - ±.020	∠'S - ±1°	APPROVED		SCALE 1/1	SHEET 1	OF 1	
.XXX - ±.005							