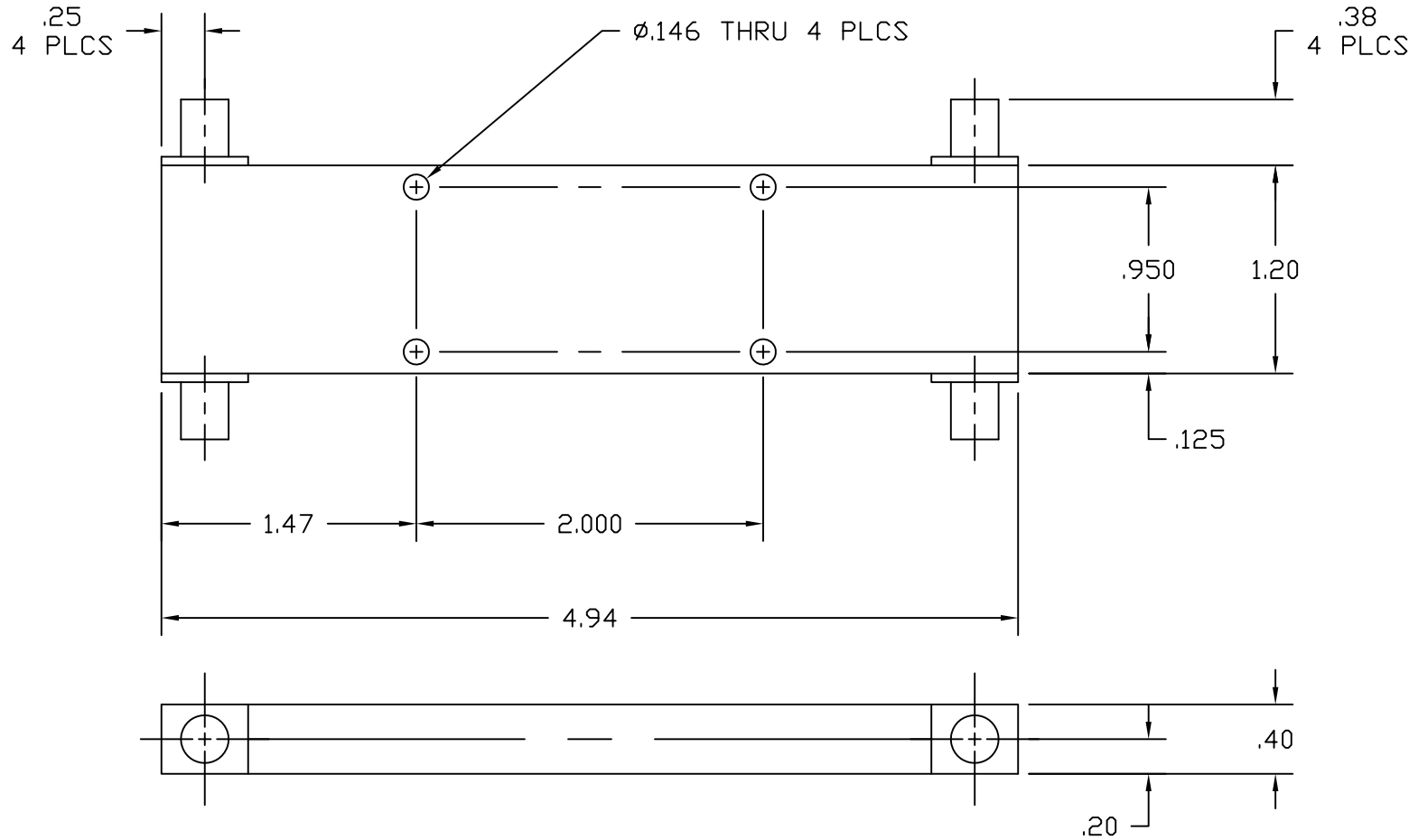



REVISIONS			
LTR	DESCRIPTION	DATE	APPROVED



(DIMENSIONS IN INCHES)

MATERIAL-		APPROVALS	DATE	TITLE	UNIT OUTLINE		
TOLERANCE ARE AS FOLLOWS UNLESS OTHERWISE NOTED:		DRAWN C.L.BELT	10/14/03		MODEL 3005040		
		CHECKED			SIZE A	DRAWING NO. 135-0130-000	REV
.XX - $\pm.020$	$\angle$ 'S - $\pm 1^\circ$	APPROVED		SCALE 1/1	SHEET 1 OF 1		
.XXX - $\pm.005$							